



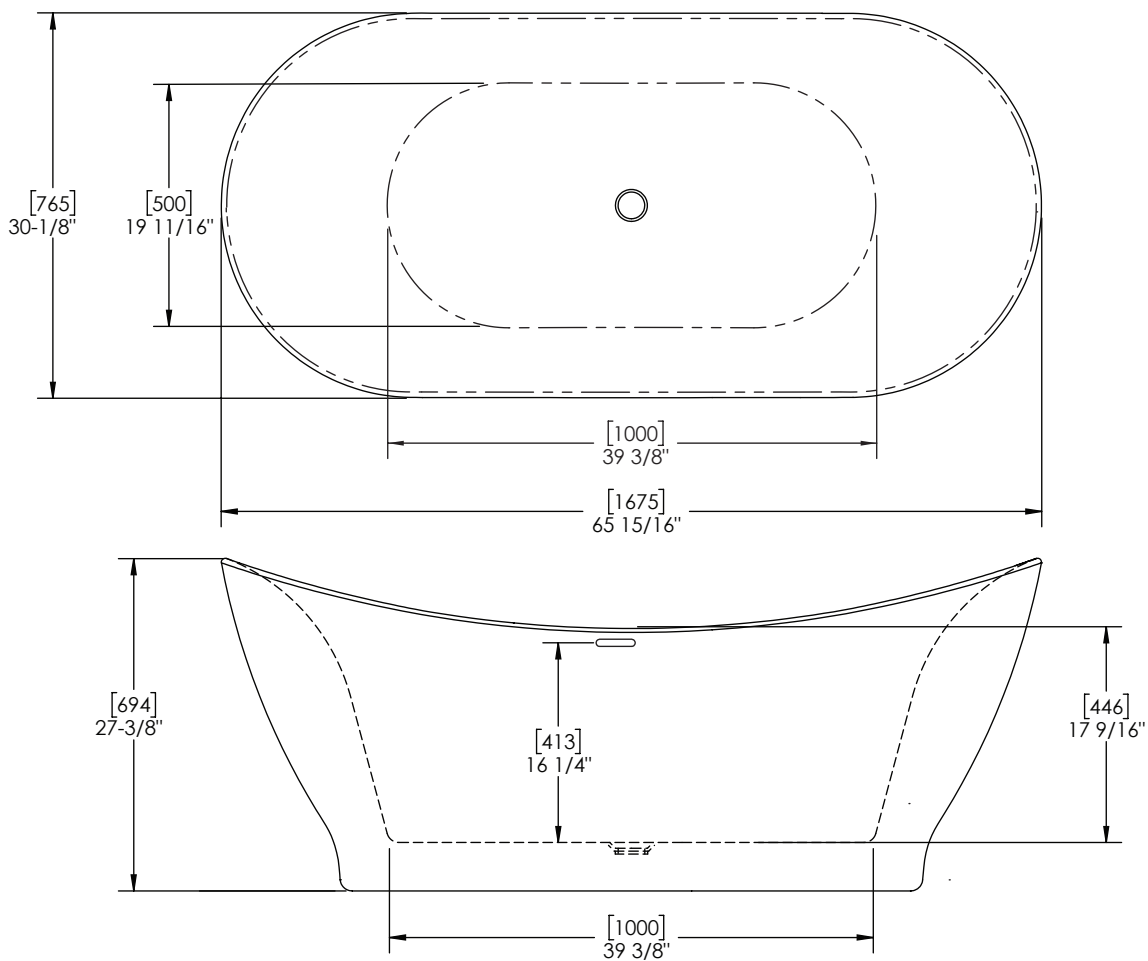
A&E Bath and Shower
6400A St. Jacques West Montreal,
QC, Canada
H4B 1T6
www.aebath.com



BT-8010-PNT

Freestanding bathtub

Baignoire autoportante



- Seamless design
- Pure acrylic fiberglass reinforced construction
- Symmetrical backrests
- Freestanding installation
- Adjustable feet
- Chrome drain included
- Integrated chrome linear overflow
- CUPC certified

- *Design sans joint visible*
- *Construction en acrylique renforcée de fibre de verre*
- *Dossiers symétriques*
- *Installation autoportante*
- *Patins de nivellement*
- *Drain chrome inclus*
- *Trop plein linéaire chrome intégré*
- *Certifié CUPC*

* Dimensions can vary +/- 1/4" (6mm) / *Les dimensions peuvent varier de +/- 1/4" (6mm)*

